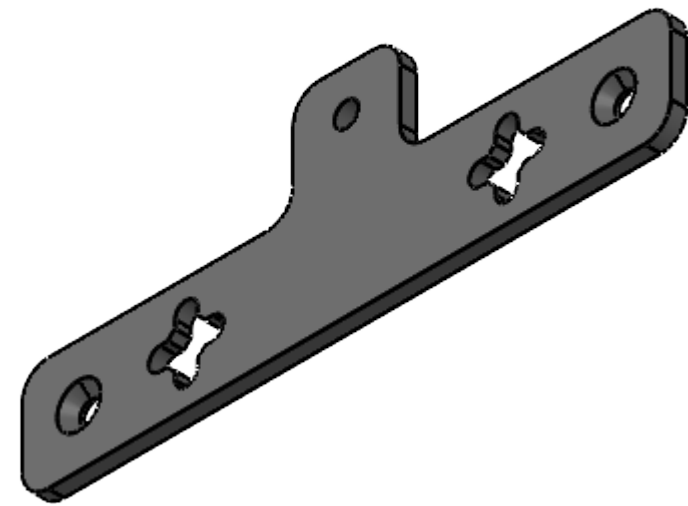
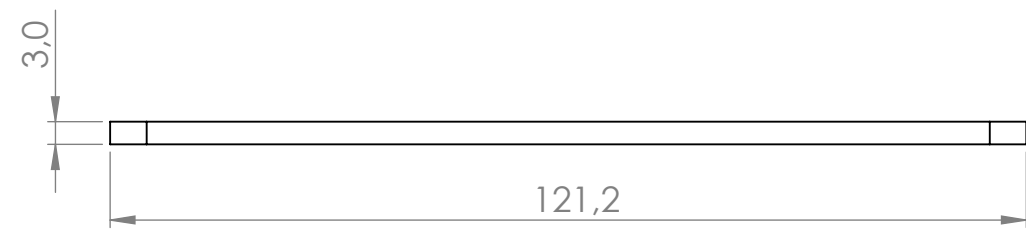
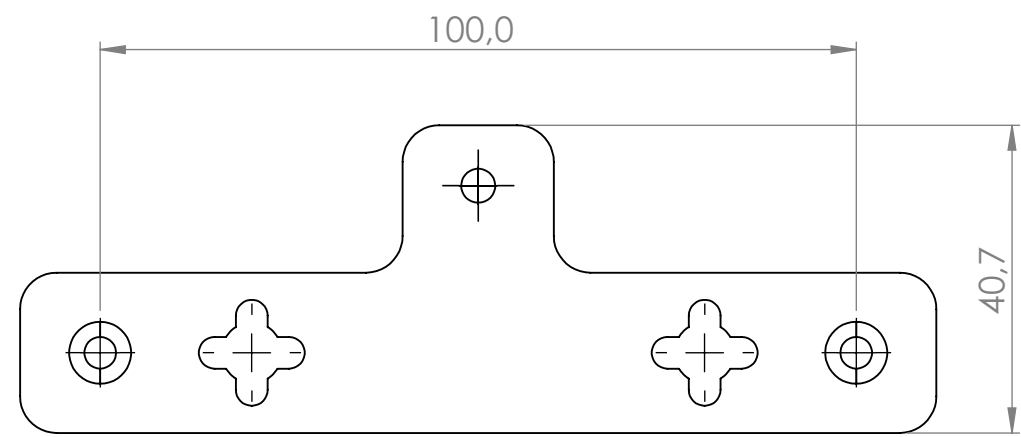
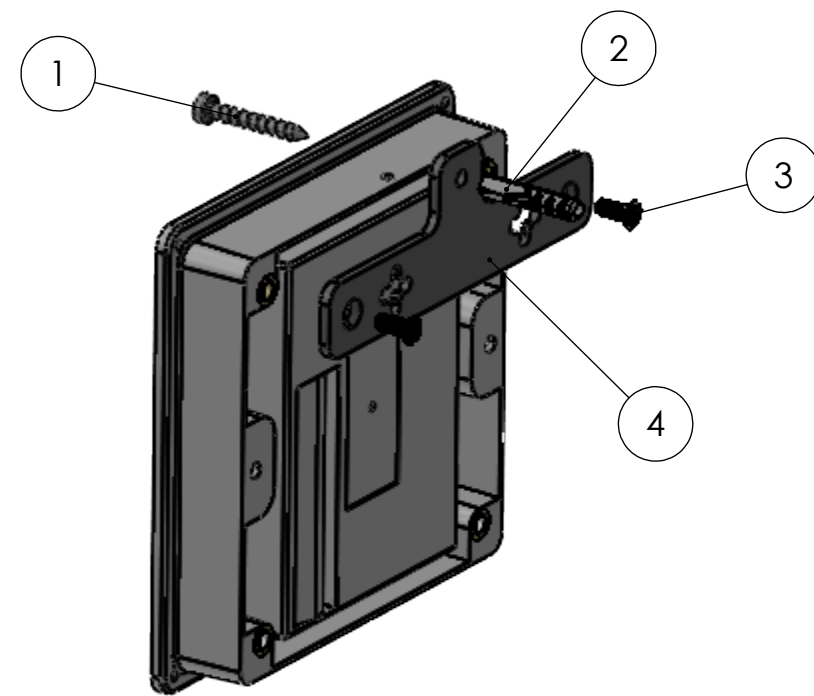
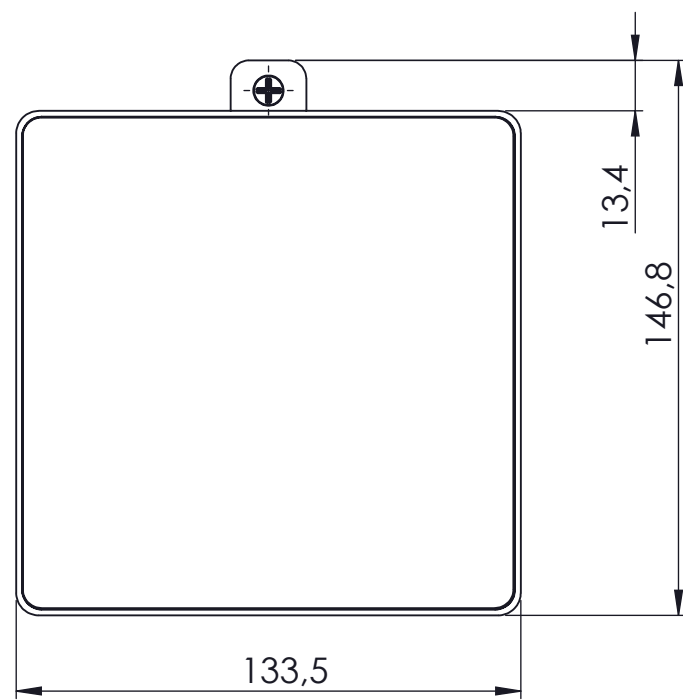
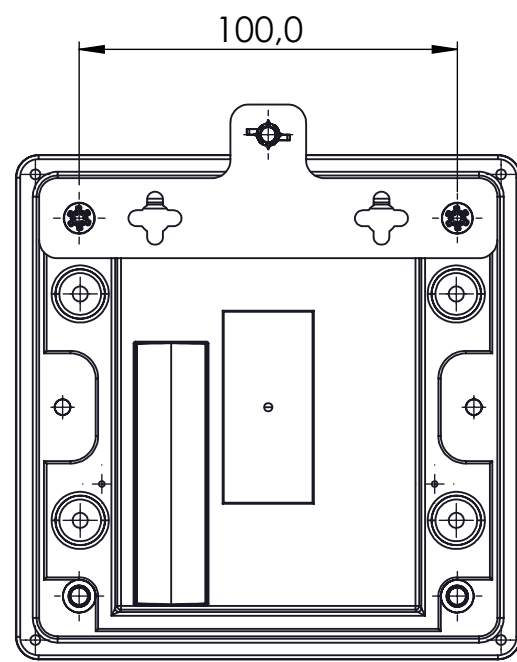


Wall mounting bracket



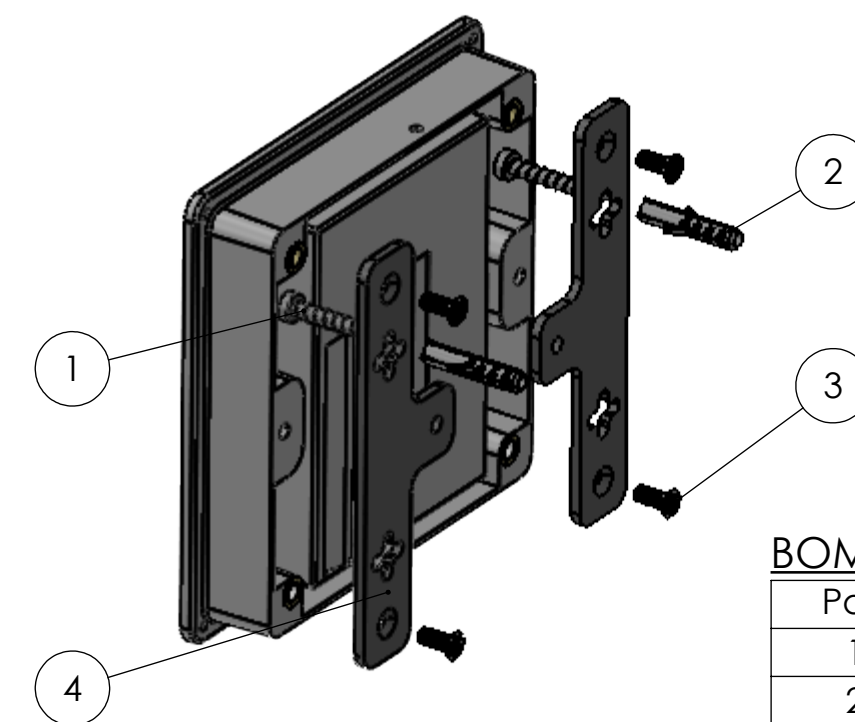
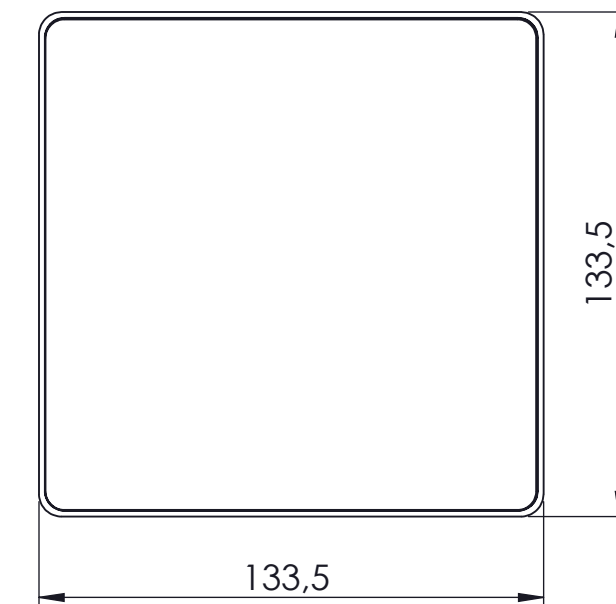
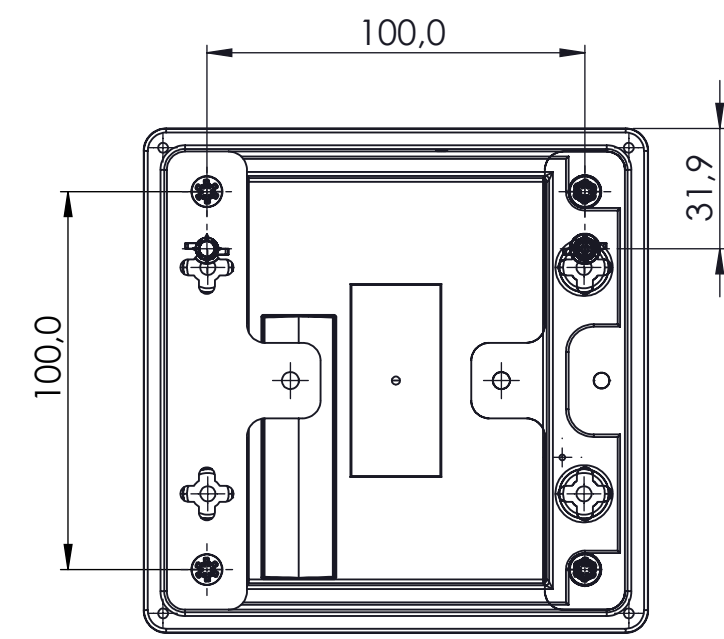
Wall mounting solution 1



BOM

Pos.	Part	Quantity
1	M4 x 25 flat head	1
2	M4 dowel	1
3	M4 x 8 countersunk head	2
4	plastic bracket	1

Wall mounting solution 2



BOM

Pos.	Part	Quantity
1	M4 x 25 flat head	2
2	M4 dowel	2
3	M4 x 8 countersunk head	4
4	plastic bracket	2

UNLESS OTHERWISE SPECIFIED: DIMENSIONS ARE IN MILLIMETERS		FINISH:		DEBURR AND BREAK SHARP EDGES		DO NOT SCALE DRAWING		REVISION
SURFACE FINISH:		DATE		TITLE:		Wall mountingset LOB-GW-SUN-WMBUS		
TOLERANCES:		SIGNATURE		MATERIAL:		Article NO.		
LINEAR:		DRAWN Schumacher		PC UV-stabilized, transparent		8000197		
ANGULAR:		CHK'D		WEIGHT:		SCALE:1:2		
		APPV'D				SHEET 1 OF 1		
		MFG				A2		
		Q.A						